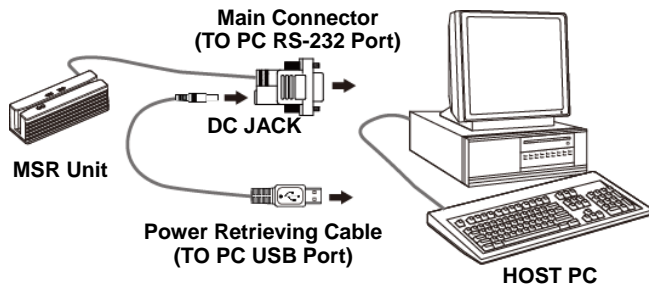


## Installation

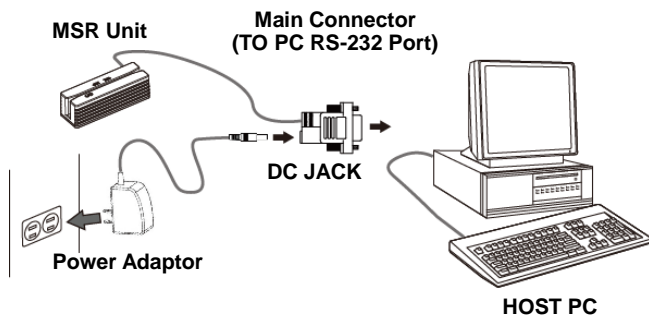
### For RS-232 Interface:

1. Turn off the computer.
2. Connect the D-type 9-pin main connector of the MSR Unit to the proper COM port on computer.  
Secure the screws to the port.
3. Connect the Power Retrieving Cable to the rear DC Jack of the main connector.
4. Connect the Power Retrieving Cable to the USB port of the computer.
5. Turn on the computer.



### Note: For Optional Power Adaptor:

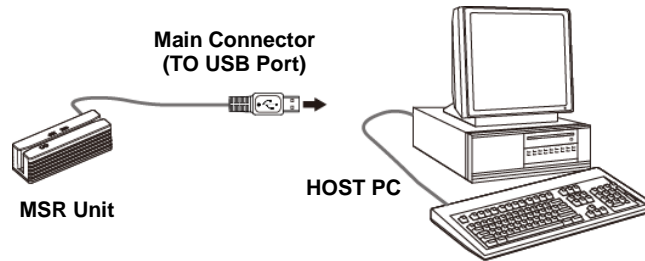
User can use the optional Power Adaptor to supply external power to the MSR Unit. Connect the power adaptor to the rear DC Jack of the main connector and then plug the adaptor into a proper electrical outlet.



Please confirm the power outlet type and consult the nearest service representative for further information.

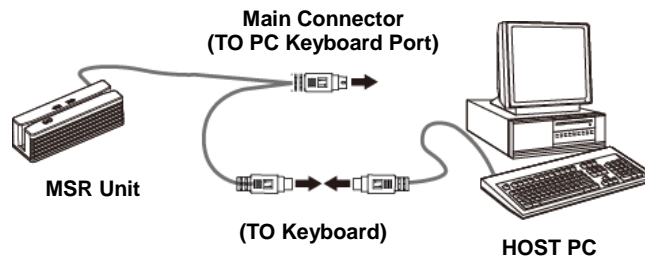
### For USB Interface:

1. Turn off the computer.
2. Connect the USB main connector to the PC (USB port).
3. Turn On the Host PC and initial the system.



### For Keyboard Wedge (PS/2) Interface

1. Turn off the computer.
2. Disconnect the keyboard cable from computer.
3. Connect the main connector to the PC (PS/2 keyboard).
4. Connect the keyboard cable into the other female 6-Pin DIN connector of the MSR Unit.
5. Turn On the Host PC and initial the system.



## Install the Utility

Please download the latest driver from TYSSO official website. Extract the compressed file and access the folder as below:

### Utilities\MSR&MMSR&TMSR/ x32 (or x64)

Select the subfolder depending on the installed system version (x32 or x64 bit).

To install the utility, double click "Setup.exe" and follow the instructions to complete the utility installation.

## Important Notice:

### For Keyboard Wedge (PS/2) Interface:

When configuring the MSR unit via Keyboard Wedge (PS/2) interface, please install the utility to the HOST PC with Windows XP version system.

## Configuration Utility

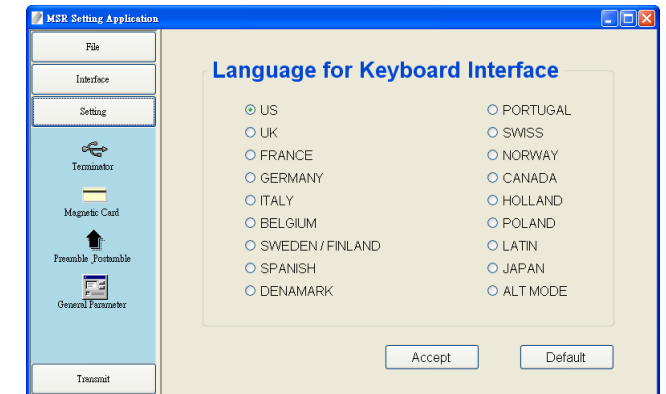
Initiate the MSR Utility and select the Interface. Press "OK" to complete the setup.

### Note: For Keyboard Wedge (PS/2) Interface

Please make sure the Keyboard is disconnected before initiate the utility.

### For Windows 7 (x32/x64):

please execute the utility as an Administrator in Windows 7.



1. Disconnect the Keyboard (for Keyboard Wedge Interface only).
2. Initiate the utility "MSR".
3. Select the Interface.
4. Configure the parameters of the MSR unit.
5. After all the new settings are completed, perform the function "Transmit" to transmit the parameters to the MSR unit.
6. Exit the configuration utility.
7. Re-connect the keyboard (for Keyboard Wedge Interface only).

## Specifications

### Electrical

Power Input	+5VDC ±10%	
Current Consumption	<100mA	
Interface	RS-232, USB or Keyboard Wedge	
Head Life	300,000 pass minimum (1,000,000 passes model available for customized request)	
Compliance	CE, FCC	
Swipe Speed	10~60 inch/sec	
Recording Method	F2F (two-frequency coherent phase) complied with ISO & JIS standard	
Tracks	1,2,3 1&2 2&3 1&2&3 and JIS-II compatible	
Card Standard	Track 1	IATA Standard
	Track 2	ABA Standard
	Track 3	THRIFT Standard
	JIS-II	JIS x 6301 Standard
Card Density	Track 1	79 characters (7 bit code)
	Track 2	40 characters (5 bit code)
	Track 3	107 characters (5 bit code)
	JIS-II	79 characters (7 bit code)

### Mechanical

Material	ABS
Dimensions	158 mm(L) x 43 mm(W) x 44 mm(H)
Weight	170 g
Cable Length	1.5 m

### Environmental

Operating Temperature/Humidity	0 °C~50 °C, 20%~80%RH, non-condensing
Storage Temperature/Humidity	-20 °C~60 °C, 20%~90%RH, non-condensing

## Features

- Easy-configuration utility
- Bi-directional swipe and read capability
- Single, dual and tripe track(s) decoding
- Meet with ISO and JIS-II standards
- Power up diagnostics
- Audio notification (card reading confirmed)
- Over 300,000 passes (minimum)
- 1,000,000 passes version can be requested

## Package

The contents in the package are list as follows:

MSR Unit		x 1
Power Retrieving Cable	(for RS-232 Interface only)	x 1

## Optional Accessories

Power Adaptor  
(+5VDC/1A, 100~240VAC, for RS-232 interface)

# User Manual

## MSR Series Multi-Tracks Magnetic Stripe Card Reader

